

# Fujikin FCST1000(M)F

## Mass Flow Controllers & Meters



**Kurt J. Lesker**<sup>®</sup>  
Company

**VACUUM MART**<sup>™</sup>  
DIVISION

### Applications

---

- Semiconductor
- Solar
- Research and Development

### Features

---

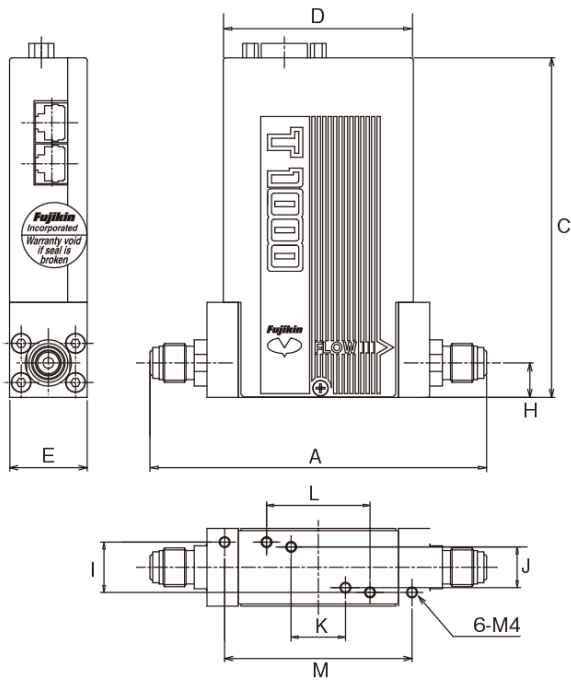
- Exceptional Accuracy
- Fast Response
- Excellent Repeatability
- Better Throughput
- Reduced System Costs

### Options

---

- Flow range (N<sup>2</sup> Equivalent) 10, 20, 30, 50, 100, 200, 300, 500 SCCM
- Able to be mounted in any orientation
- Seal Material: Metal Seal: SUS316L or Elastomer Seal: Fluoro-Rubber (Chloroprene Rubber)
- Communication: 0-5VDC, Digital: RS485 (Fujikin Protocol), DeviceNet<sup>™</sup> (SEMI E54 & ODVA SEMI SIG MFC PROFILE)

[www.lesker.com](http://www.lesker.com)



Dimensions Approximate

## Dimensions (mm)

A	C	D	E	H
124	125	77(78)	32	12.7
I	J	K	L	M
18.5	-	-	-	69

## Specifications

Flow Range (N2 Equivalent)	10, 20, 30, 50, 100, 200, 300, 500 SCCM
Valve Type	N/C: Normally Closed
Controlled Volume Range	2% ~ 100% F.S.
Flow Accuracy	±1% F.S. (Accuracy guaranteed between 15~35°C)
Setting Signal	0.1-5VDC
Output Signal	Analog 0-5VDC
Communication	0-5VDC, Digital: RS485 (Fujikin Protocol), DeviceNet™ (SEMI E54 & ODVA SEMI SIG MFC PROFILE)
Repeatability	±0.2% F.S.
Response Time	≤1sec
Required Pressure Difference	50-300kPa
MAX Operating Pressure	400kPaG
Proof Pressure	1MPaG
Guaranteed Operating Temperature Range	5-50°C
External Leak Rate	Metal Seal: 1 X 10 <sup>-11</sup> Pa•m <sup>3</sup> /sec He, Elastomer Seal: 1 X 10 <sup>-7</sup> Pa•m <sup>3</sup> /sec He
Mounting Orientation	Can be mounted in any orientation
Current Consumption	+15VDC:25mA, -15VDC:180mA
Wetted Surface Material	316L SS, Magnetic Stainless Steel, PTFE, Fluoro-Rubber (Chloroprene Rubber)
Seal Material	Metal Seal: SUS316L, Elastomer Seal: Fluoro-Rubber (Chloroprene Rubber)
Actuator Type	Solenoid actuator
Surface Finish	None

Kurt J. Lesker Company (KJLC) specifications and/or test data may not be copied, reproduced or referenced without express written permission of KJLC.

**Kurt J. Lesker**®  
Company Enabling Technology for a Better World | [www.lesker.com](http://www.lesker.com)

Kurt J. Lesker Company  
United States - salesus@lesker.com  
412.387.9200  
800.245.1656

Kurt J. Lesker Canada Inc.  
Canada - salescan@lesker.com  
416.588.2610  
800.465.2476

Kurt J. Lesker Company Ltd.  
EMEIA - EMEIASales@lesker.com  
+44 (0) 1424 458100

Kurt.Lesker (Shanghai) Trading Company  
科特·莱思科(上海)商贸有限公司  
Asia - salesasia@lesker.com  
+86 21 50115900